



HEATIT Z-WATER2

Z-Wave Regulator 868.4 MHz

Art.no 4512495
GTIN 7071236016458

Heatit Z-Water2 is a DIN-rail regulator for controlling waterbased heating systems. The module clips right onto a DIN-rail and allows you to control your waterbased heating through your Z-Wave network. Heatit Z-Water2 is equipped with 9 potential free relays for actuators. It also has 2 analog inputs for temperature sensors.

The Heatit Z-Water2 relays may be controlled by associations with other Z-Wave thermostats e.g Heatit. Each relay can control one or several actuators in your heating system.

PRODUCT FEATURES

- Z-Wave
- 9 potential free relays
- Valve exercise
- DIN-rail mounting
- Regulator for waterbased heating systems
- Can control 230VAC actuators and 24V actuators from an external power supply
- Can be used with Heatit thermostats in each heating zone
- Supports encryption mode S0, S2 Authenticated Class, S2 Unauthenticated Class
- Connector for external antenna
- SmartStart
- Firmware update (OTA)

PRODUCT DATA

Ambient temperature range in use	5 to 40°C
Ambient temperature range in storage	-30 to 70°C
Min. and max ambient humidity (RH%)	10 to 85%
Colour	Grey Black Olive RAL 6015

ADDITIONAL INFO

IP Code	IP20
Certification	CE, Z-Wave Plus
EN Standards	CE
Warranty international	2 years
Customs number	90321000
Country of origin	CN

IOT / SMART HOME SPECIFIC DATA

Z-Wave Frequency	Z-Wave - 868.4 MHz (EU)
Z-Wave Chip	Z-Wave 800 chip
Z-Wave encryption mode	S0 S2 Unauthenticated Class S2 Authenticated Class
Min radio frequency range	40m
Over The Air update (OTA)	Yes

ELECTRO TECHNICAL DATA

Voltage	230VAC 50Hz
Own power usage	0.4W
Max load (resistive load)	5A
Connection terminals diameter	0.2 to 2.5mm ²
Max tightening torque connections	2N·m
Connection type	Screw clamps



PRODUCT DIMENSIONS

Product height/diameter	58mm	Product Width	86mm
Product length	105mm	Product net weight	186g

MAINTENANCE

The device is maintenance-free. Indoor use only.

ADDITIONAL INFORMATION

The product must be used with a security-enabled Z-Wave Controller in order to fully utilize security/encryption.

Max load: 5A
Max load per relay: 1385VA/150W
Max relay current: 250VAC

Heatit Z-Water2 is incompatible with Heatit Z-Wave Gateway.

Accessories: Heatit DIN Trafo 24V, Art. no. 54 304 57

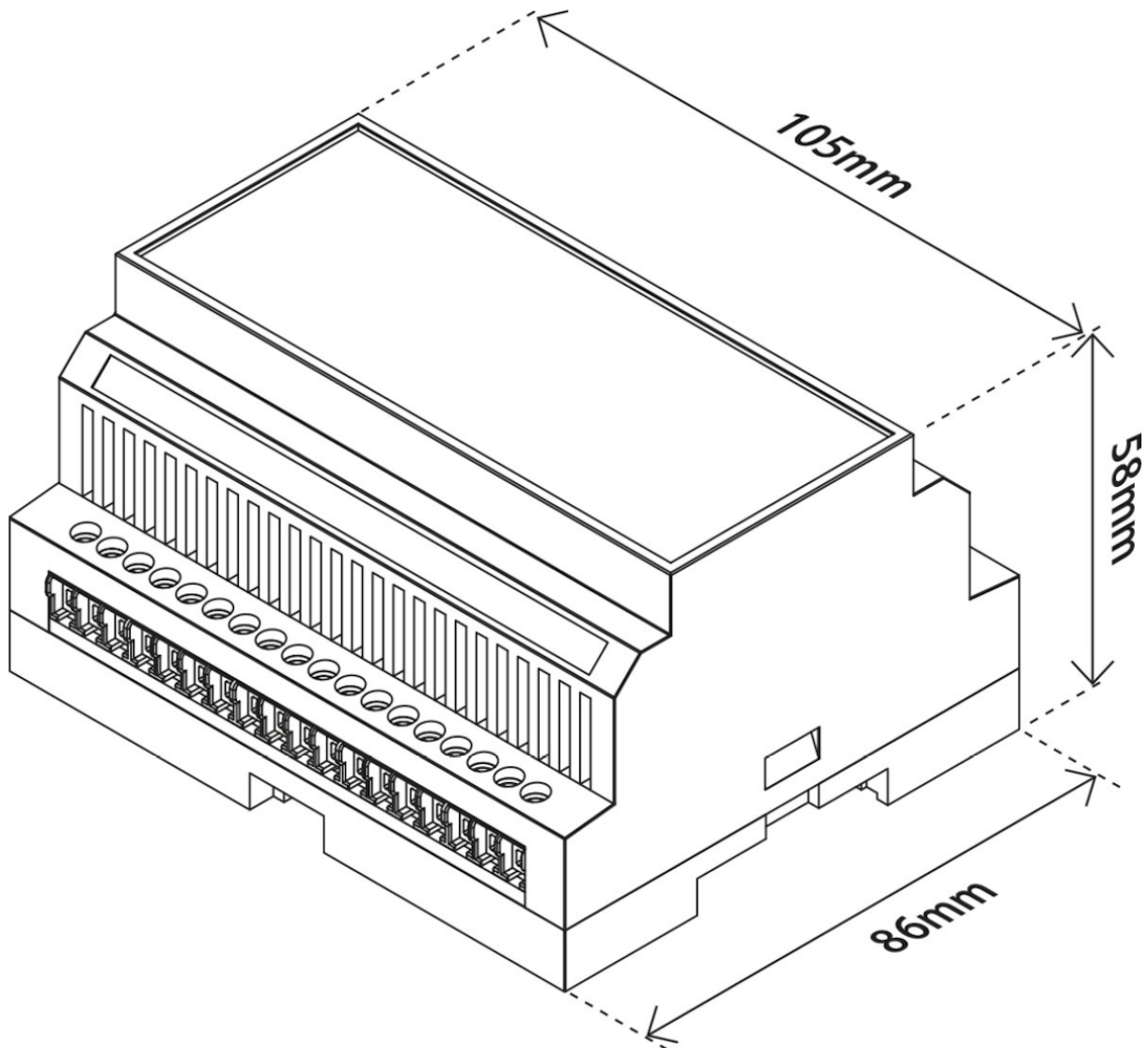
RETURN AND RECYCLING

The product must be recycled as electronic waste.

DISCLAIMER

We develop and design our products according in accordance with our strict quality requirements (ISO 9001) and environmental requirements (ISO 14001).
All electrical installations must be carried out by an authorized electrical installer. The product must be installed in accordance with our installers manual and national building codes. Any wrongful installation, misuse, damage of the product, is not covered under warranty.

Updated documentation is available at www.heatit.com or documents.heatit.com
Heatit Controls AS can not be held liable for any type of errors or omissions in our product information.
Product specifications may change without further notice.



Heatit Z-Water2 can be ordered from shop.heatit.com/4512495

All additional documentation are available on the above adress and on documents.heatit.com/4512495

