



HEATIT Z-TRM3 BLACK RAL 9011

Z-Wave thermostat 3600W 16A 868,4 MHz

Art.no 5430598

GTIN 7071236016045

Smart thermostat.

Heatit Z-TRM3 is an electronic thermostat for electrical underfloor heating. The thermostat has a built-in Z-Wave chip that can be connected to control systems.

The thermostat fits in standard European wall boxes and can be used with most frames that are adapted to System 55. The thermostat has a built-in sensor and may be connected to two external sensors.

Heatit Z-TRM3 has active power metering and it gives you real time information about your power consumption.

The thermostat enables you to make associations with external relays and wall plugs.

Designed for electrical heating.

Electrical Load Compatibility

The thermostat is designed specifically for resistive loads.

When controlling large resistive, capacitive, or inductive loads, it is essential to use an appropriate contactor to protect the thermostat from excessive load to ensure safe operation.

The thermostat can withstand a resistive load of up to 16A/3600W at 230VAC. For loads above 13A, we recommend using a contactor.

PRODUCT FEATURES

- Z-Wave thermostat
- Floor sensor
- Internal room sensor
- Temperature limiter
- SmartStart
- Weekly schedule
- Temperature readout in gateway
- External room sensor (wired by cable)
- Supports encryption modes S0, S2 Unauthenticated Class, S2 Authenticated Class
- Firmware update (OTA)
- Active power metering
- Relay status LED
- Single poled switch
- Lock mode/child lock
- Temperature calibration
- 5 associations

PRODUCT DATA

Ambient temperature range in use	5 to 40°C
Min. and max ambient humidity (RH%)	10 to 85%
Colour	Black RAL 9011

THERMOSTAT DATA

Regulation temperature	5 to 40°C
Compatible NTC-sensors (kΩ @ 25°C)	10, 12, 15, 22, 33, 47
Temperature sensitivity	±0,5
Error margin temperature	0,5
Hysteresis	0,3 to 3,0 (default hysteresis 0,5)
Ohm value at 25°C	10kΩ
Max length of NTC sensor	50m

ADDITIONAL INFO

IP Code	IP21
Certification	Reach, RoHS
Warranty international	2 years
Customs number	90321000
Country of origin	EE

IOT / SMART HOME SPECIFIC DATA

Primary IoT Protocol	Z-Wave
Alternate IoT-communication protocols	No alternative communication protocols
Z-Wave Frequency	Z-Wave - 868.4 MHz (EU)
Z-Wave Chip	Z-Wave 500 chip
Z-Wave encryption mode	S2 Unauthenticated Class S2 Authenticated Class S0
Min radio frequency range	40m
Push buttons	3
Over The Air update (OTA)	Yes

ELECTRO TECHNICAL DATA

Voltage	230VAC 50Hz
Voltage Output	230VAC 50Hz
Switch type	One-pole switch
Own power usage	2W
Max load (resistive load)	3600W
Max load (resistive load)	16A
Connection terminals diameter	0.2 to 2.5mm ²
Max tightening torque connections	2N·m
Connection type	Screw clamps



PRODUCT DIMENSIONS

Product height/diameter	84mm	Product Width	84mm
Product length	51mm	Product net weight	240g

MAINTENANCE

The device is maintenance-free. Indoor use only.

ADDITIONAL INFORMATION

Expected Response Time in Z-Wave-Based Systems.

Z-Wave-based smart home systems use wireless communication in a mesh network, where each command is confirmed before it is considered completed. When a wireless device, such as a switch, thermostat, or sensor, is used to control another device (for example a dimmer or relay), the command is transmitted as a radio signal. The signal may be routed through one or more devices in the network before it reaches its destination.

Control may take place directly between devices or via a central unit (gateway). When scenes, associations, automations, or central logic are used, the command is processed there before being forwarded, which may result in a slight delay compared to direct wired control. A delay of approximately 0.5–2 seconds is considered normal and expected in Z-Wave systems, and will vary depending on network structure, number of devices, signal path, and network load.

Heatit Controls AB declares that this product is in compliance with the essential requirements and other relevant provisions of Directive 2014/53/EU.

Standards: CE, EMC 2014/30/EU, EN 60730-1, EN 60730-2-9, LVD 2014/35/EU, RoHS 2011/65/EU, Z-Wave Plus

RETURN AND RECYCLING

The product must be recycled as electronic waste.

DISCLAIMER

Approved for use in bathrooms.

General info;

Worth noting regarding correct installation of thermostats.

When two or more thermostats are mounted too close to each other, the heat they emit, can interfere with the temperature sensors and the temperature in the junction box becomes too high. This can cause inaccurate temperature readings, especially under high load, leading to incorrect heating control. To avoid such issues, thermostats should be installed as far apart as possible and always in separate junction boxes. This ensures more accurate temperature readings.

In multi-frames with multiple units, the thermostat should always be mounted at the bottom, and no more than one thermostat should ever be installed in a multi-frame.

The product must be used with a security-enabled Z-Wave Controller in order to fully utilize security/encryption.

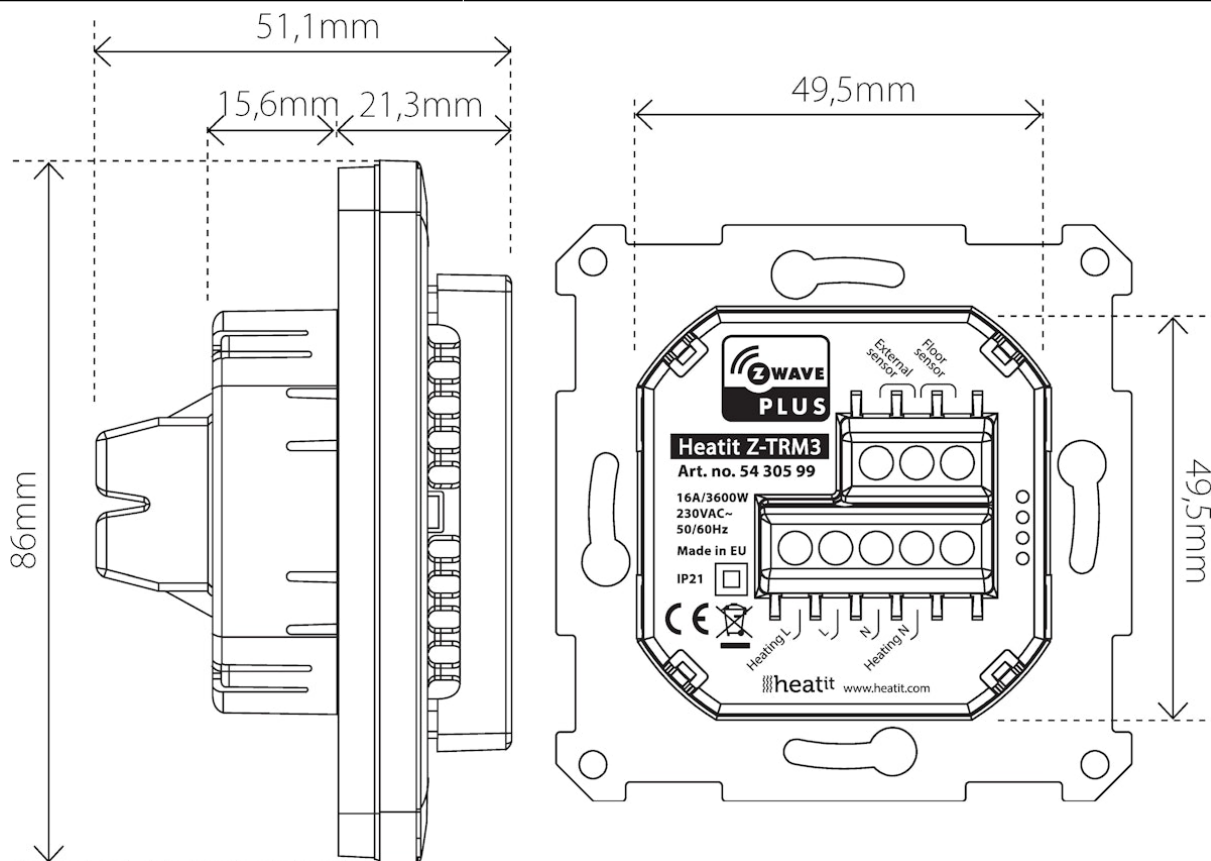
We develop and design our products according in accordance with our strict quality requirements (ISO 9001) and environmental requirements (ISO 14001).

All electrical installations must be carried out by an authorized electrical installer. The product must be installed in accordance with our installers manual and national building codes. Any wrongful installation, misuse, damage of the product, is not covered under warranty.

Updated documentation is available at www.heatit.com and/or documents.heatit.com

Heatit Controls AS can not be held liable for any type of errors or omissions in our product information.

Product specifications may change without further notice.



Heatit Z-TRM3 Black RAL 9011 can be ordered from
www.heatit.com/5430598

All additional documentation are available on the above adress and on documents.heatit.com/5430598

